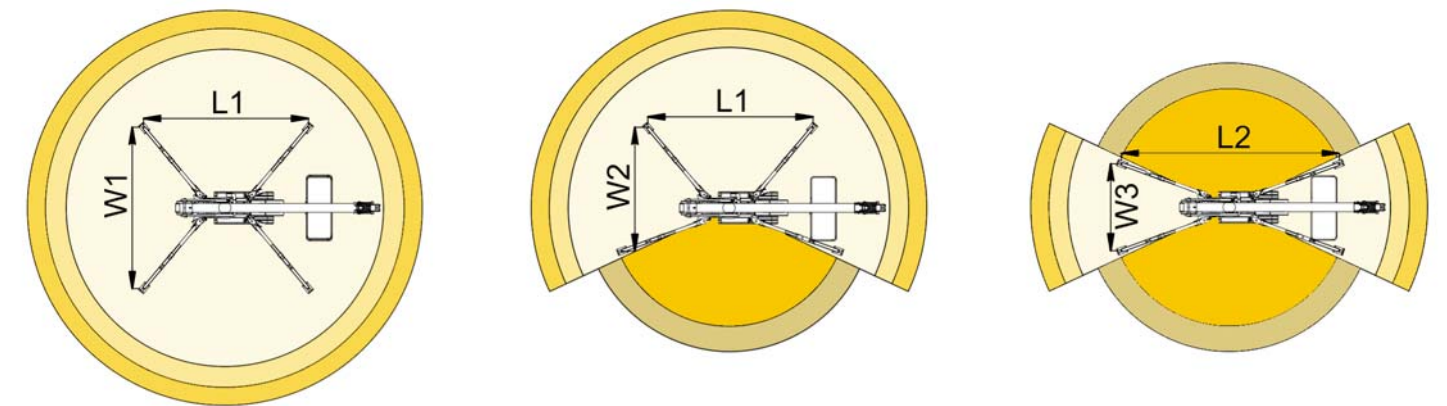
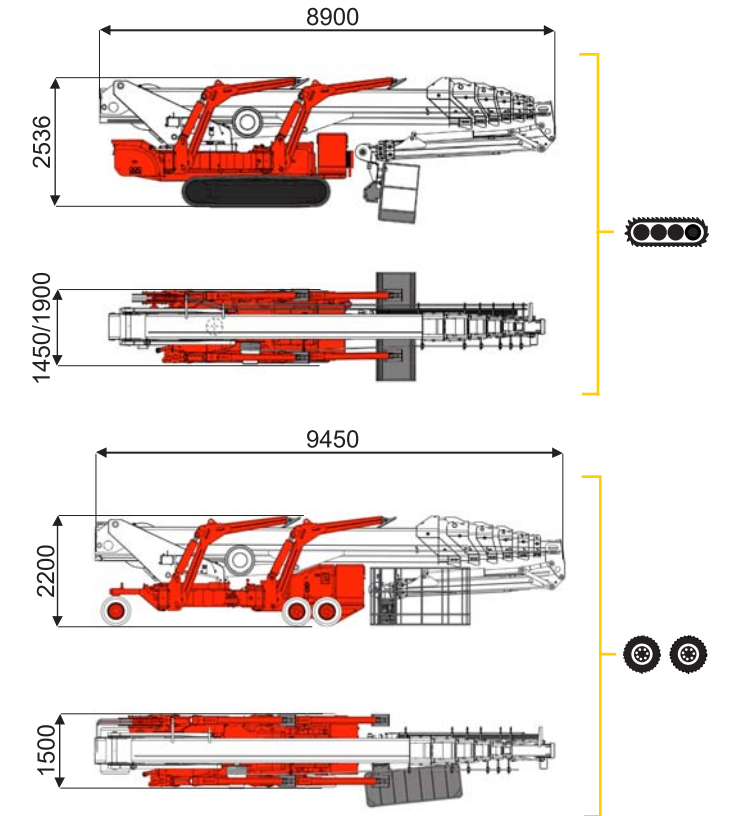
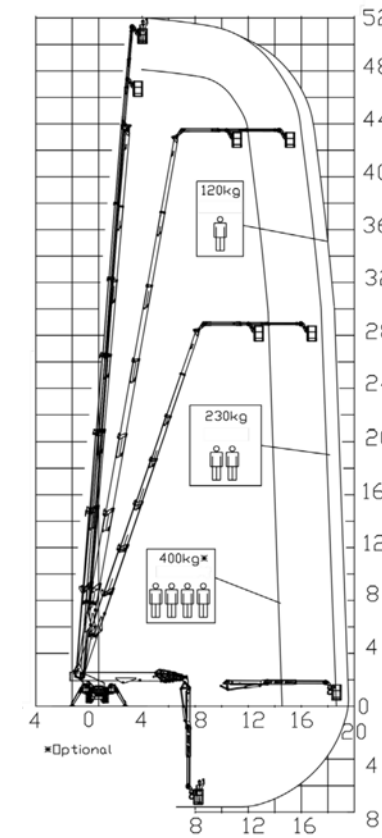




**52 m** ↑  
**19,5 m** →  
**400 Kg\*** 👤👤👤



16,5 m	18,5 m	19,5 m	14,5 m	16,5 m	L1	L2	W1	W2	W3
400 kg*	230 kg	120 kg	400 kg*	120/230 kg	6460 mm	7190 mm	5170 mm	4655 mm	4130 mm

BI-ENERGY Diesel+AC																
<b>XTJ 52+/C</b>	52 m	19,5 m	400 kg*	170°	660°	240x70 cm	90°+80°	4,13-5,17 m	16%	42%	2 km/h	14890 kg	95 kN	4,46 kN/m <sup>2</sup>	6,97 kN/m <sup>2</sup>	
<b>XTJ 52+/R</b>	52 m	19,5 m	400 kg*	170°	660°	240x70 cm	90°+80°	4,13-5,17 m	16%	21%	1,2 km/h	13000 kg	95 kN	3,89 kN/m <sup>2</sup>	5,73 kN/m <sup>2</sup>	

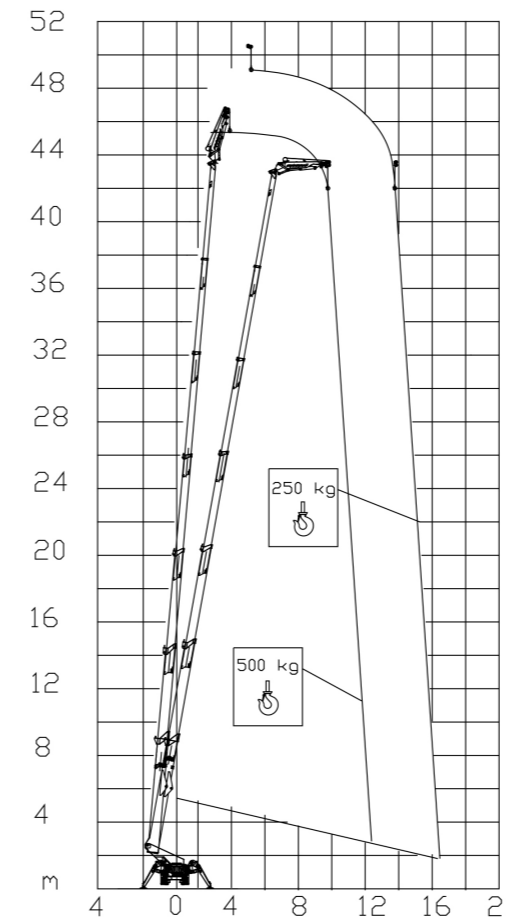
Available version:

- BI-ENERGY (DIESEL+AC)
- ECO (DC+AC)
- HYBRID (DIESEL+DC)

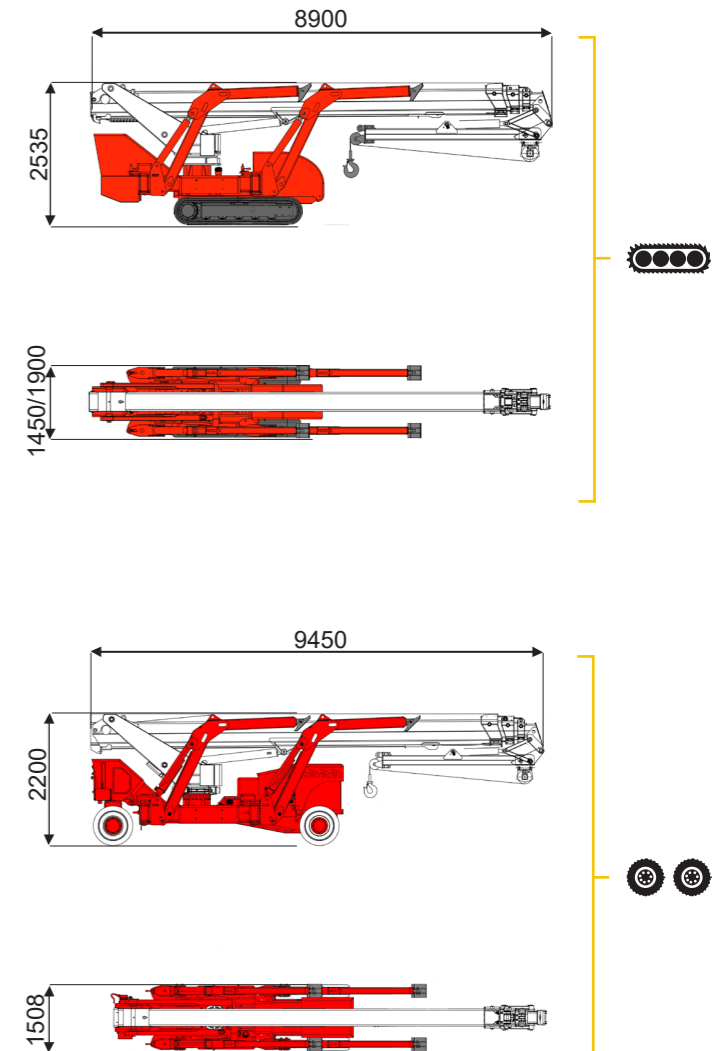
Characteristics and technical data are informative only and subjected to change without notice.



**51 m** ↑  
**16,5 m** →  
**500 Kg** ⚙



12,5 m	16,5 m
500 kg	250 kg



**BI-ENERGY**  
Diesel+AC



<b>XTJ 52+/C</b>		47 m	12,5 m	500 kg	660°	4,13-5,17 m	16%	42%	2 km/h	14980 kg	95 kN	4,49 kN/m <sup>2</sup>	7,01 kN/m <sup>2</sup>
<b>XTJ 52+/R</b>		51 m	16,5 m	500 kg	660°	4,13-5,17 m	16%	16%	1,2 km/h	13000 kg	95 kN	3,89 kN/m <sup>2</sup>	5,73 kN/m <sup>2</sup>

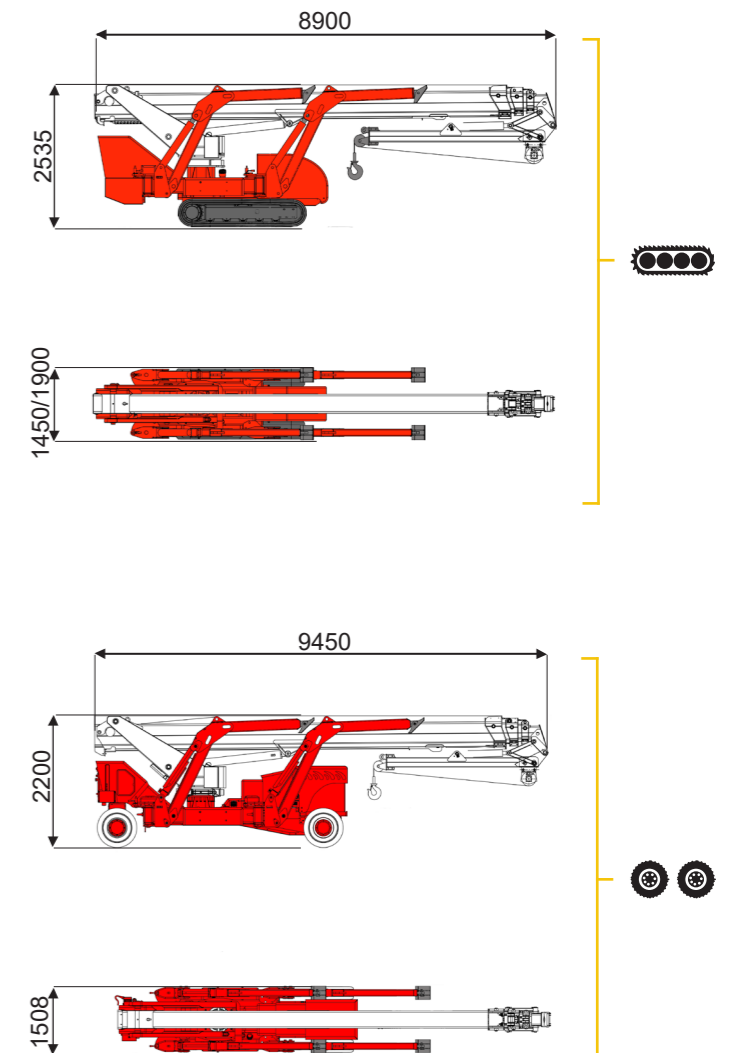
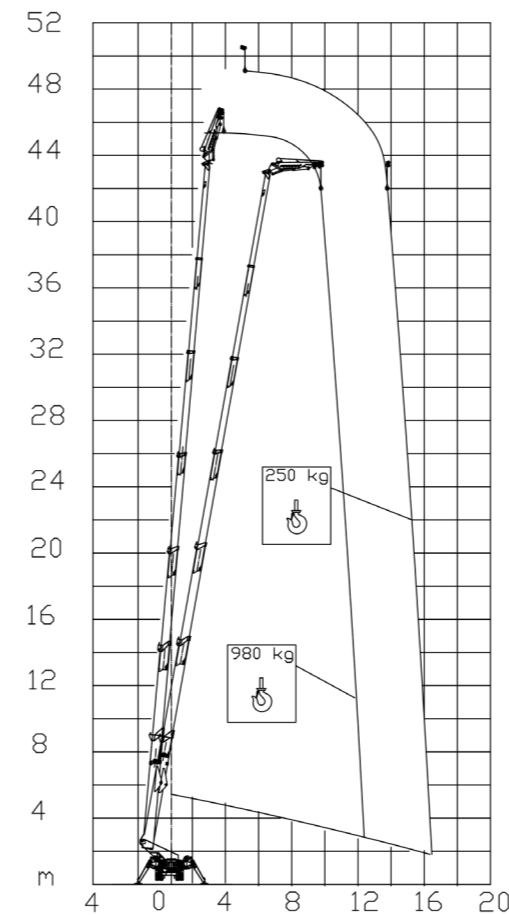
Available version:

- BI-ENERGY (DIESEL+AC)
- ECO (DC+AC)
- HYBRID (DIESEL+DC)

Characteristics and technical data are informative only and subjected to change without notice.



**51 m** ↑  
**16,5 m** →  
**980 Kg** ⚙



**BI-ENERGY**  
Diesel+AC



**XTJ 52+/C**



47 m

12,5 m

980 kg

660°

4,13-5,17 m

16%

42%

2 km/h

14980 kg

95 kN

4,49 kN/m<sup>2</sup>

7,01 kN/m<sup>2</sup>

**XTJ 52+/R**



51 m

16,5 m

980 kg

660°

4,13-5,17 m

16%

16%

1,2 km/h

13000 kg

95 kN

3,89 kN/m<sup>2</sup>

5,73 kN/m<sup>2</sup>

Available version:

**BI-ENERGY** (DIESEL+AC)

**ECO** (DC+AC)

**HYBRID** (DIESEL+DC)

Characteristics and technical data are informative only and subjected to change without notice.